

1959-60 Chevrolet pass. (all)

OUTSIDE REAR VIEW MIRROR INSTRUCTION SHEET

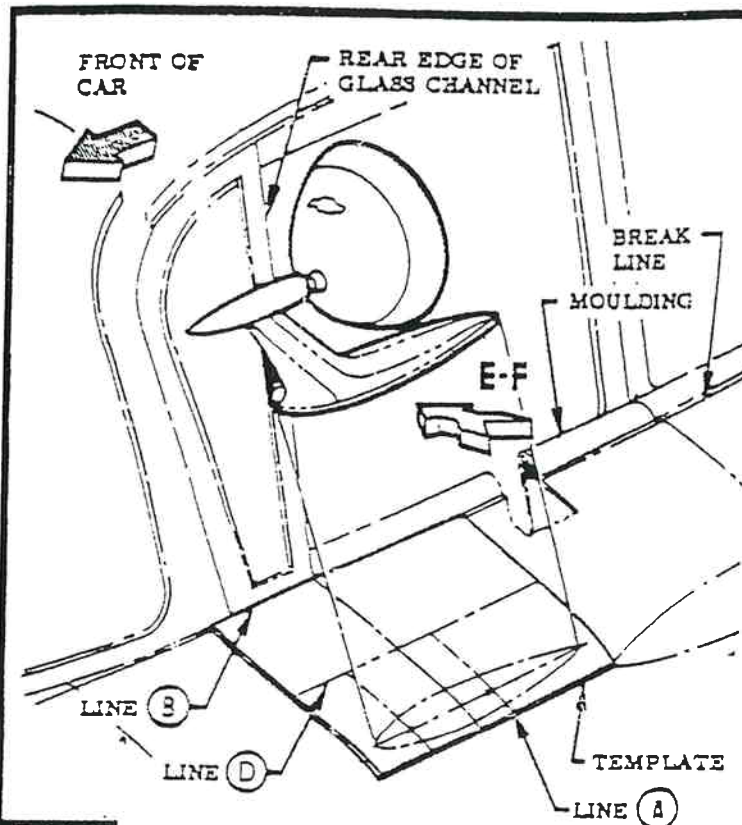


FIG. 1 TEMPLATE—1000 MODELS (all 1959-60 pass.)

ALL PASS. CARS (EXCEPT SEDAN DELIVERY)

1 PLACE TEMPLATE ON DOOR. SEE FIG. 1. FOLLOW DIRECTIONS PRINTED ON TEMPLATE FOR DRILLING HOLES.

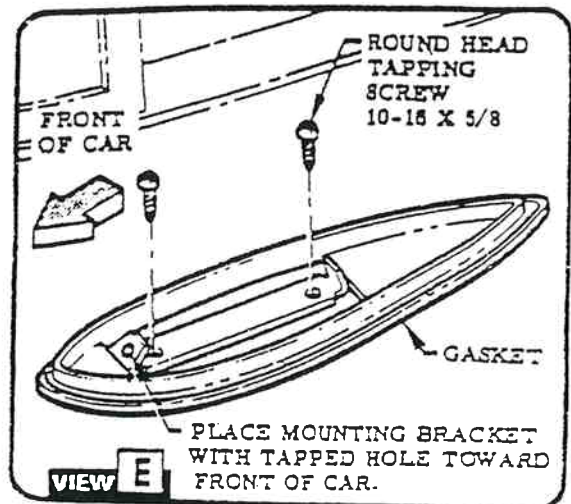
FOR SEDAN DELIVERY

STEP 1 LOCATE TWO EXISTING 1/8 INCH DIA. HOLES IN DOOR & CONTINUE INSTALLATION DESCRIBED IN PRECEDING STEPS 3, 4, & 5.

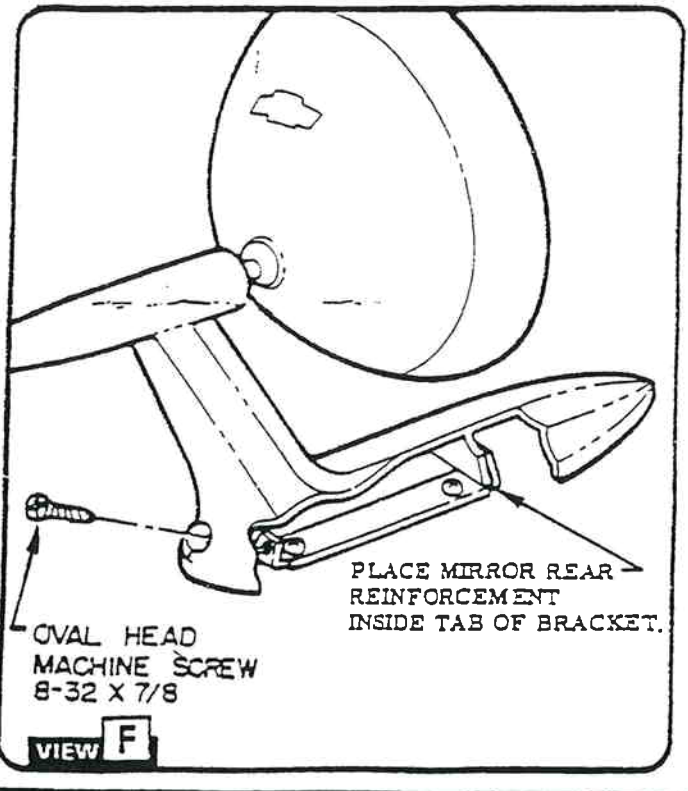
STEP 3 PLACE MOUNTING BRACKET ON CAR WITH TAPPED HOLE TOWARD FRONT OF CAR. SEE VIEW E. ATTACH MOUNTING BRACKET WITH TWO ROUND HEAD TAPPING SCREWS FURNISHED.

STEP 4 PLACE GASKET OVER MOUNTING BRACKET.

STEP 5 PLACE MIRROR ON GASKET, SECURING REAR REINFORCEMENT (INSIDE MIRROR BASE) AGAINST INSIDE OF REAR TAB OF MOUNTING BRACKET. SEE VIEW F. INSTALL CHROME OVAL HEAD TAPPING SCREW INTO MOUNTING BRACKET & TIGHTEN.



VIEW E



VIEW F

